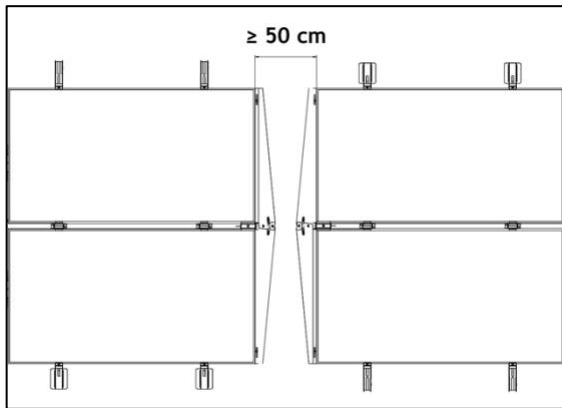
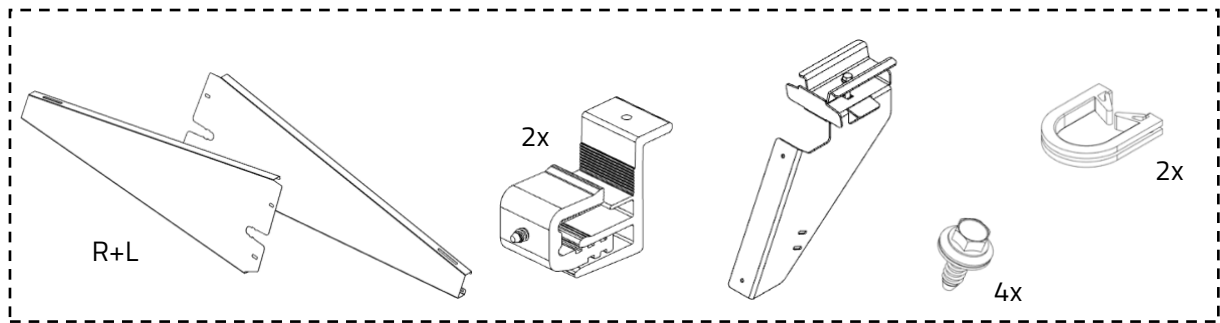
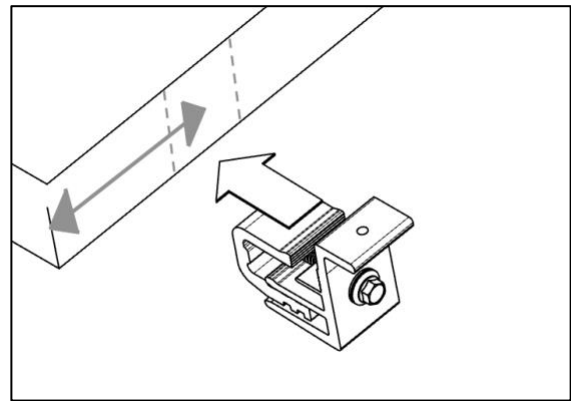


Sunbeam **Supra**

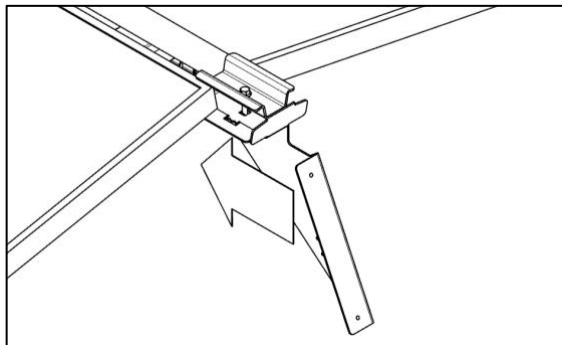
Mounting instructions side deflectors



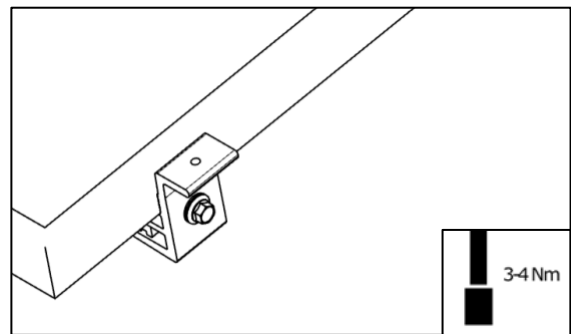
IMPORTANT! Make sure there is enough space planned in between the arrays. This space is required to mount the side deflectors.



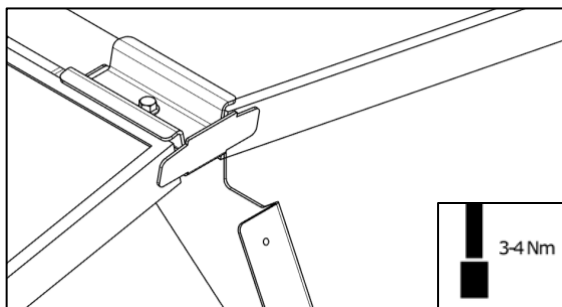
3. Hook the clamp on the module frame on the low side. Place the clamp roughly 5 cm from the corner of the module.



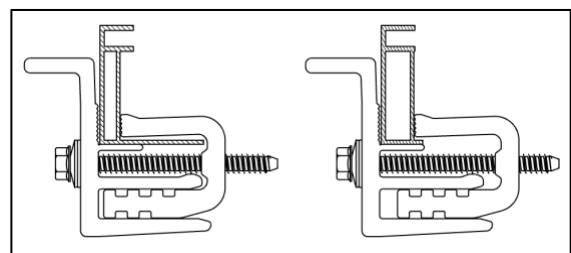
1. Slide the bracket with the clamp in between the modules at the top.



4. Tighten the pre-assembled screw in the clamp.

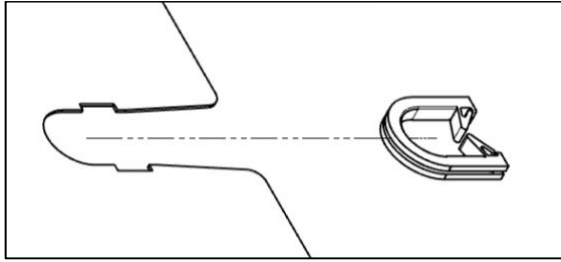


2. Tighten the bolt on top.

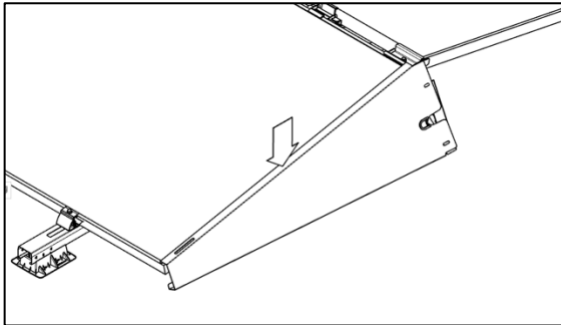


Note: The clamp can be used for multiple types of module frames as shown below.

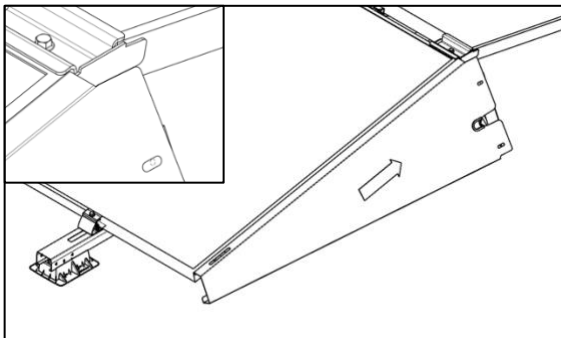
5. Repeat step 3 and 4 for the other module.



6. Click the cable grommet into the side plates.

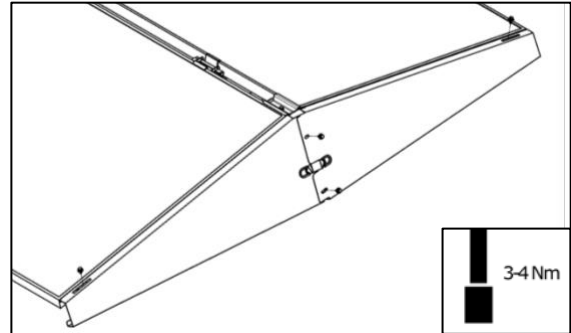


7. Hook one of the deflectors on the clamp and bracket. Place the cables in the cable grommet, when applicable.

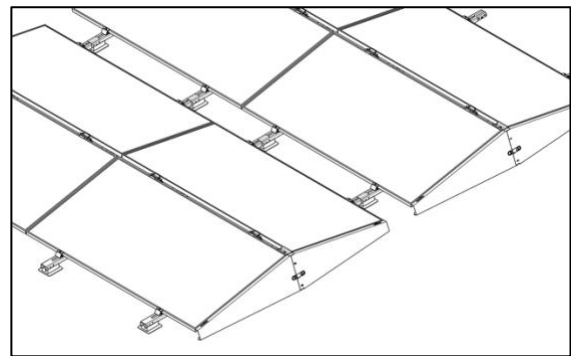


8. Slide the deflector up against the notch on the bracket. Check if the slot on the low side aligns with the clamp. Adjust the position of the clamp when necessary.

9. Repeat step 6 to 8 for the other side.



10. Mount the 4 short screws: two in the bracket and in each clamp one.



11. Install the deflectors on all open sides of the interconnected field.