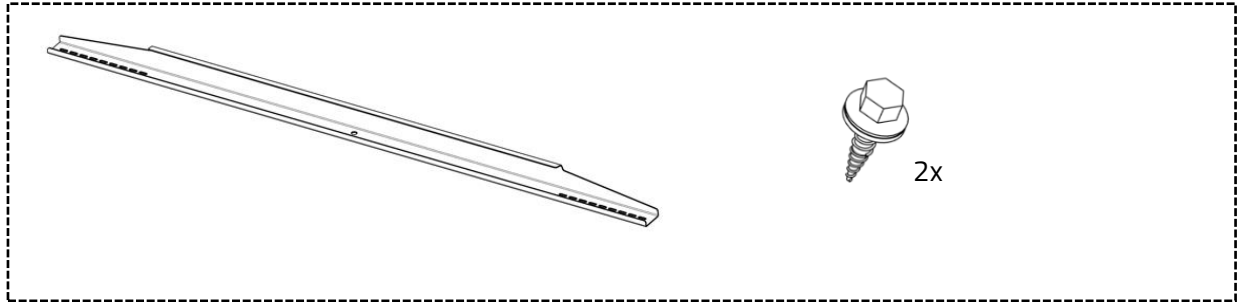


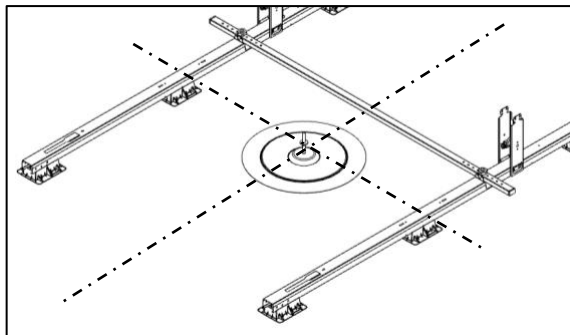
Sunbeam **Supra**

Anchors mounting Instruction

With the Sunbeam Supra anchor profile you can mount a Sunbeam Supra system with anchors to the roof. The anchor profiles replace the ballastplates and ballastconnectors.

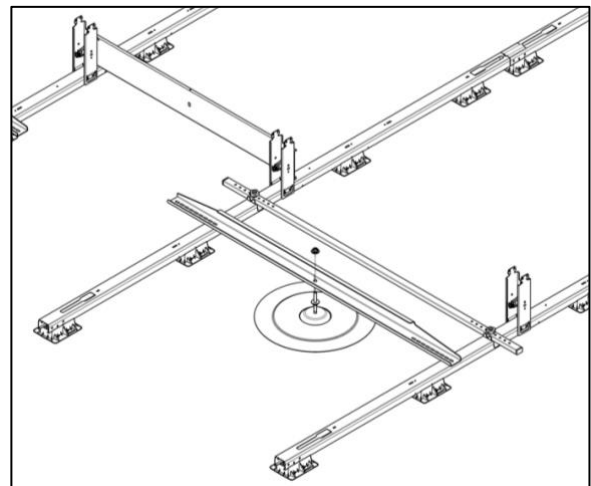


1. Position the base-units and the connector plates on the roof without placing the ballast racks and ballast connectors. Use the Supra size tool to place the base-units at the correct distances from each other. Use the manual of the size tool.

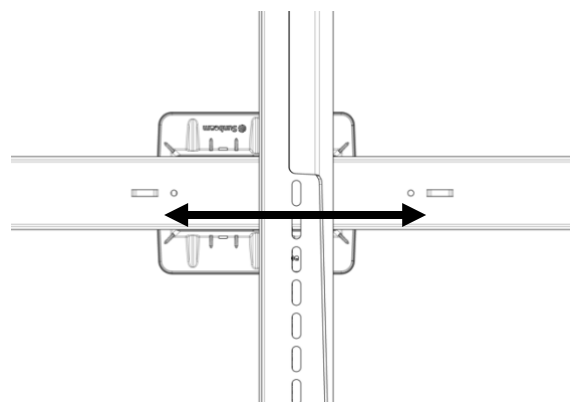


2. Position the roof anchor in the middle between the base-units, at the level of the ridges (see picture below 4).

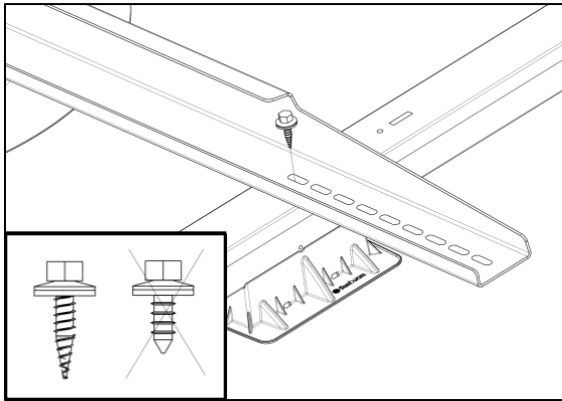
3. Always follow instructions of the manufacturer to fasten the roof anchors to the roof surface watertight.



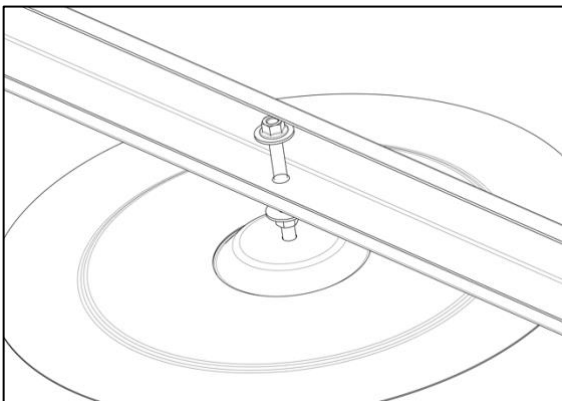
4. Place the lower nut on the threaded rod and place the anchor profile. Apply the top nut but do not yet screw them on tightly.



Attention! The anchor profile needs to be connected between the ridges on the base-unit.



5. Connect the anchor profile with self-drilling screws. (The base-unit does not contain pre-drilled holes for the anchor profiles.)



6. Make sure that the Supra's feet are properly positioned on the roof covering. Position the bottom nut approximately 8mm below the anchor profile (this is 1x the nut height). Tighten the top nut securely according to the roof anchor manufacturer's instructions. *(If the manufacturer does not prescribe anything, use at least 20Nm.)* This places the anchor profile slightly under pretension.

Attention! The base-units are not allowed to be lifted by the roof anchor.

7. Install the rest of the system according to the Sunbeam Supra manual and the project plan.