

Sunbeam SUPRA

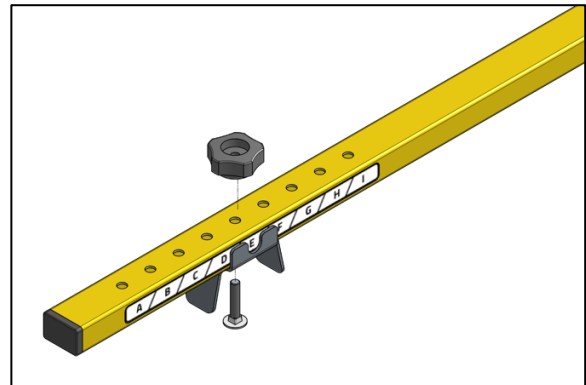
Instructions for Size Tool

The Size Tool for Sunbeam Supra can be used to make the placement of the ballast plates easier or check the distance between the base units. It uses the same code as the ballast plate.

1. Find the code of the ballast plate position in the project report. This is on the page 'System configuration'.



2. Assemble the blocks on the right letter and number on the size tool profile.



3. Use the size tool parallel to the ballast plate to keep the profiles at the right distance.

