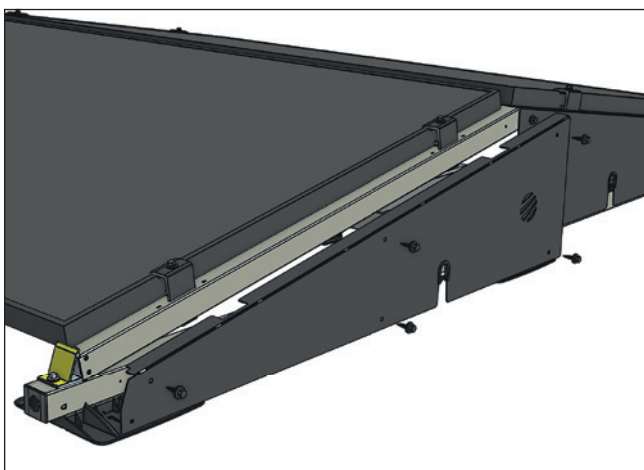


Sunbeam Nova side plates

Product sheet



Complete your installation
with Sunbeam Nova side plates



Benefits and features


- one version for both left and right
- available in black for an entirely black Nova system
- integrated cable opening to prevent cables from being cut (NEN1010)
- easy to stack
- corrosion-resistant Magnelis coated steel
- black version with durable powder coating

Sunbeam Nova is an entirely carbon-neutral certified product




A solution for every project

Versions:

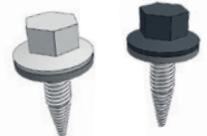
Nova Universal side plates			
	code	description	weight
	12.60-UM	Nova Universal Medium	1.8 kg
	12.60-UL	Nova Universal Large	1.9 kg
	12.60-UM-b	Nova black Universal Medium	1.8 kg
	12.60-UL-b	Nova black Universal Large	1.9 kg

(The wind plates are also available in black)

Nova Symmetrical side plates			
	code	description	weight
	12.60-S	Nova Symmetrical Small side plate	1.4 kg
	12.60-M	Nova Symmetrical Medium side plate	1.5 kg
	12.60-L	Nova Symmetrical Large side plate	1.6 kg
	12.60-XL	Nova Symmetrical Extra Large side plate	1.7 kg
	12.60-XXL	Nova Symmetrical Extra Extra Large side plate	1.8 kg
	12.60-S-b	Nova Symmetrical Small side plate, black	1.4 kg
	12.60-M-b	Nova Symmetrical Medium side plate, black	1.5 kg
	12.60-L-b	Nova Symmetrical Large side plate, black	1.6 kg
	12.60-XL-b	Nova Symmetrical Extra Large side plate, black	1.7 kg
	12.60-XXL-b	Nova Symmetrical Extra Extra Large side plate, black	1.8 kg

Note: two side plates are needed for each open side!

Matching screws:

	code	description
	30.44-b	Mounting screw black
	30.44	Mounting screw

For each side plate, 5 screws are needed.

IMPORTANT! Side plates influence your project's loading profile. Always ensure a proper loading profile.