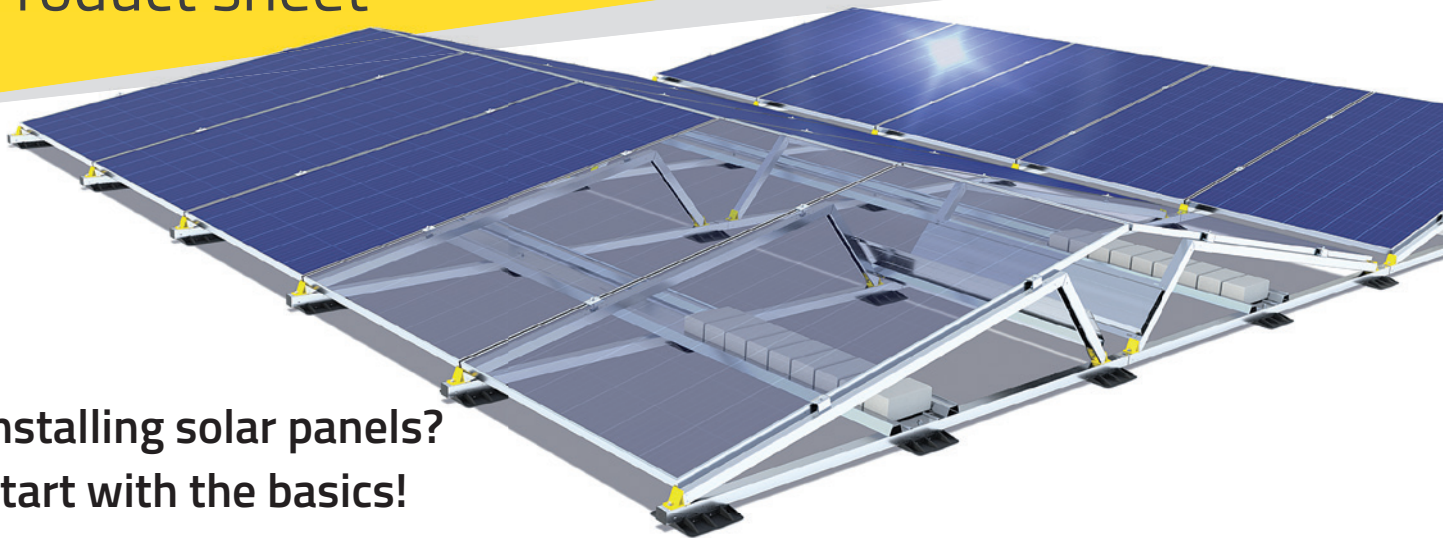


Sunbeam Nova

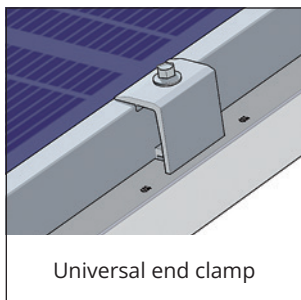
Symmetrical Portrait

Product sheet

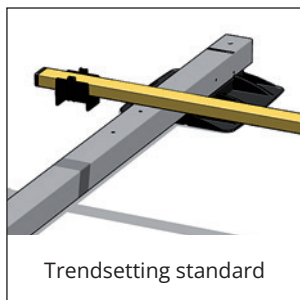


Installing solar panels? Start with the basics!

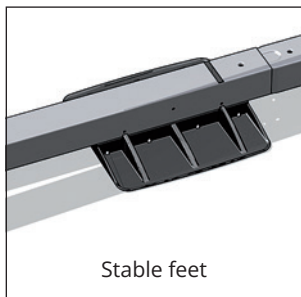
Sunbeam Nova is a well thought-out, TÜV-certified mounting system for installing solar panels on flat roofs. An ultra-fast installation is possible due to the smart and stable construction design. This design ensures that the solar panels are optimally and safely supported.



Universal end clamp



Trendsetting standard



Stable feet



Automatically earthed

Innovative features

Various solutions have been applied to the Sunbeam Nova system that every professional will appreciate:

- the panel is supported along its entire side
- all-metal construction, which complies with NEN1010 with regard to equipotential bonding / earthing
- 1 end clamp fits all panel thicknesses
- compact packaging with little waste
- can be assembled using 1 tool
- trendsetting standard for quick installation
- flexible ballasting, only where it counts
- system can be installed without the solar panels being available

Sunbeam Nova is a CO₂-neutral certified product



A solution for every project



Sunbeam Nova Symmetrical Portrait

- The Symmetrical Portrait version of the Sunbeam Nova system has been developed for solar panels that may no longer be supported on the short side because of their length.
- The Symmetrical Portrait system supports the solar panels on their long side and clamps them at quarter points along their length. This is in accordance with the warranty conditions.
- The clever combination of parts creates a system with optimal roof utilisation for every panel length. In addition, creation of a walkway is always possible.

General features									
materials used	Zn/Al/Mg coated steel ('Magnelis'), stainless steel, aluminum, plastic (HDPE)								
suitable roof types	flat roof (bitumen, PVC, EPDM, TPO); maximum slope allowed is 5 degrees								
suitable modules	maximum 2388 x 1305 mm								
roof load	is determined per project in accordance with the Eurocode; it varies in practice between approx. 12 and 20 kg/m ²								
warranty	see warranty terms and specific warranty conditions at: www.sunbeam.solar								
Sunbeam Nova Symmetrical Portrait									
panel angle	12 degrees								
row distance suitable for panel length	4200	4300	4400	4500	4600	4700	4800	4900	mm
	2007-2082	2083-2133	2134-2184	2185-2235	2236-2286	2287-2337	2338-2388	2338-2388	mm

Sunbeam Nova is the ultimate mounting system for flat roofs

Sunbeam BV

Kwikstaartlaan 18
NL-3704 GS Zeist
The Netherlands

Tel: +31 (0)30 430 03 33
info@sunbeam.solar
www.sunbeam.solar

