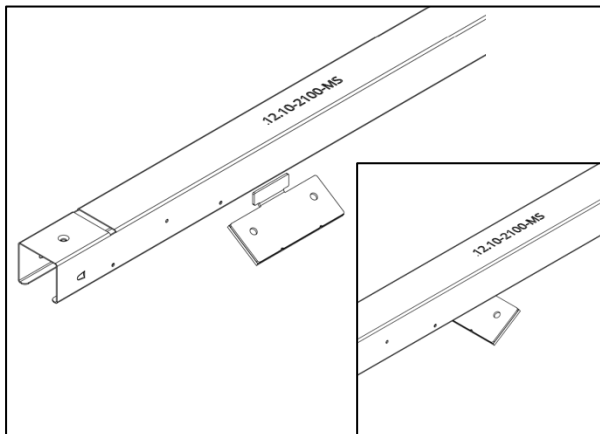
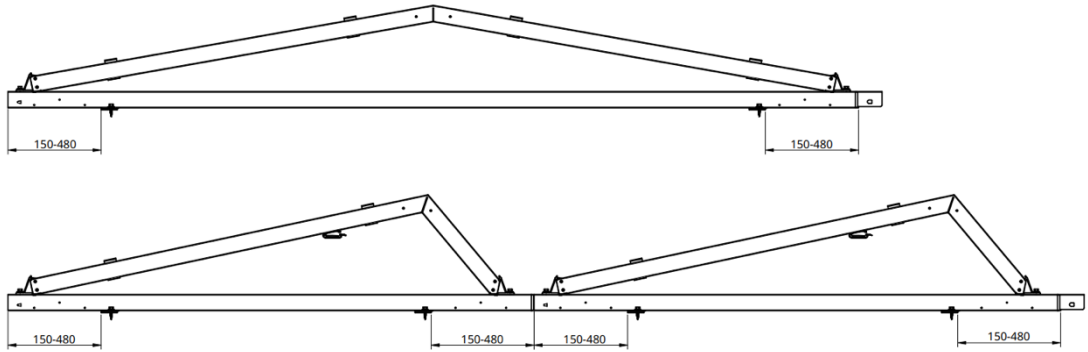


Sunbeam Nova

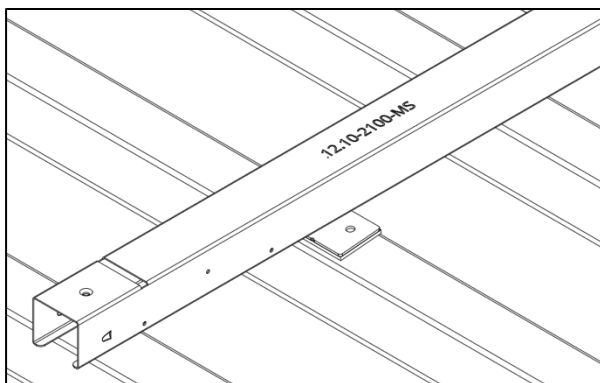
Mounting Instruction Friction Plates

Friction Plates are an accessory for Sunbeam Nova to mount the mounting system on flat and slightly sloping roofs with steel roof cladding with a thickness of at least 0.5 mm.

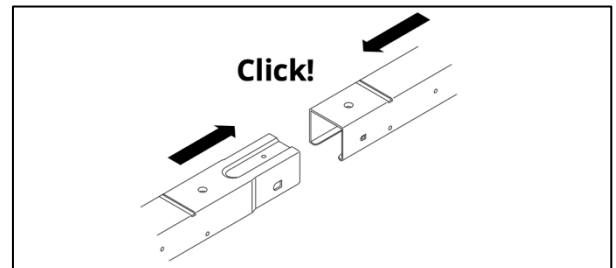
Placement:



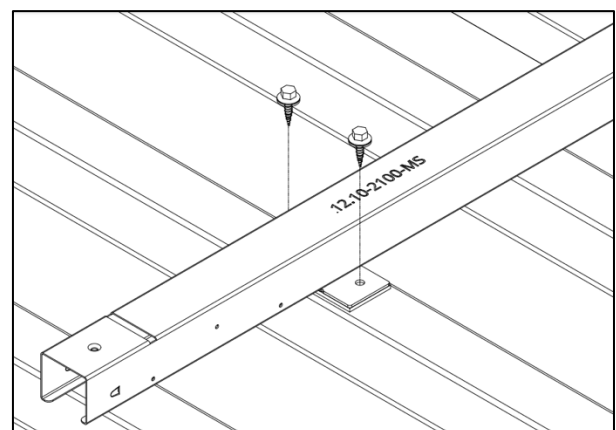
1. Insert the friction plate into the bottom of the base unit.
2. Hook the 'T' into the bottom of the beam with a rotating movement.



3. Place the beam on the roof with the friction plates on the crowns of the roof plate.



4. Place the base units on the roof according to the installation plan and slide them together as far as the stop.



5. Screw each friction plate with two mounting screws.
6. Continue mounting the Nova mounting system as described in the installation manual from step 5.