

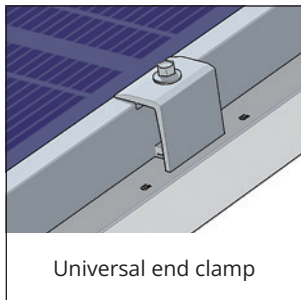
# Sunbeam Nova

## Product sheet

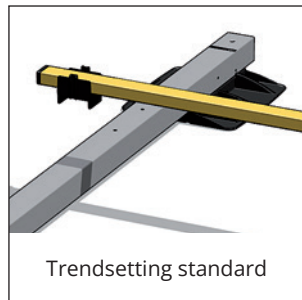


### Installing solar panels? Start with the basics!

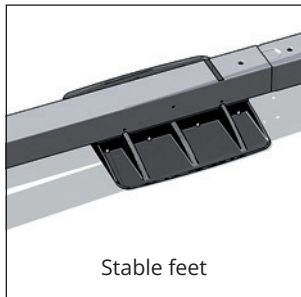
Sunbeam Nova is a well thought-out, TÜV-certified mounting system for installing solar panels on flat roofs. An ultra-fast installation is possible due to the smart and stable construction design. This design ensures that the solar panels are optimally and safely supported.



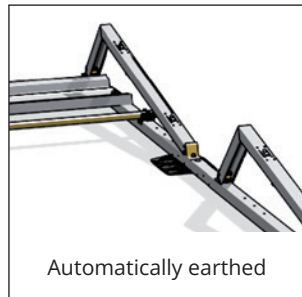
Universal end clamp



Trendsetting standard



Stable feet



Automatically earthed

### Innovative features

Various solutions have been applied to the Sunbeam Nova system that every professional will appreciate:

- the panel is supported along its entire side
- all-metal construction, which complies with NEN1010 with regard to equipotential bonding / earthing
- 1 end clamp fits all panel thicknesses
- compact packaging with little waste
- can be assembled using 1 tool
- trendsetting standard for quick installation
- flexible ballasting, only where it counts
- system can be installed without the solar panels being available

Sunbeam Nova is a CO<sub>2</sub>-neutral certified product



# A solution for every project



## Sunbeam Nova is available in 3 versions:

- **Sunbeam Nova Universal** is the solution for solar panels facing south. With a panel angle of 12 degrees and a row distance of (optional) 1300, 1500 or 1700 mm, an optimal system can be realised for every project.
- **Sunbeam Nova Symmetrical** is a symmetrical ('east-west') system, with two solar panels per position, set at angles of 10 degrees. This provides even greater roof utilisation (kWp/m<sup>2</sup>) and maximum yield (kWh/y) per roof, at a lower cost and shorter installation time per module.
- **Sunbeam Nova Symmetrical is also available in a Portrait version.** A separate product sheet is available for Sunbeam Nova Symmetrical Portrait.

General features	
materials used	Zn/Al/Mg coated steel ('Magnelis'), stainless steel, aluminum, plastic (HDPE)
suitable roof types	flat roof (bitumen, PVC, EPDM, TPO); maximum slope allowed is 5 degrees
suitable modules	maximum 2156 x 1205 mm
roof load	is determined per project in accordance with the Eurocode; it varies in practice between approx. 12 and 20 kg/m <sup>2</sup>
warranty	see warranty terms and specific warranty conditions at: <a href="http://www.sunbeam.solar">www.sunbeam.solar</a>
Nova Universal	
panel angle	12 degrees, south facing
row distance	1300    1500    1700    mm
shadow angle	33    22    16    degrees
Nova Symmetrical	
panel angle	2 x 10 degrees, virtually direction-independent
row distance	2100    2200    2300    2400    2500    mm
shadow angle	8    8    8    8    8    degrees

## Sunbeam Nova is the ultimate mounting system for flat roofs

Sunbeam BV

Kwikstaartlaan 18  
NL-3704 GS Zeist  
The Netherlands

Tel: +31 (0)30 430 03 33  
[info@sunbeam.solar](mailto:info@sunbeam.solar)  
[www.sunbeam.solar](http://www.sunbeam.solar)

