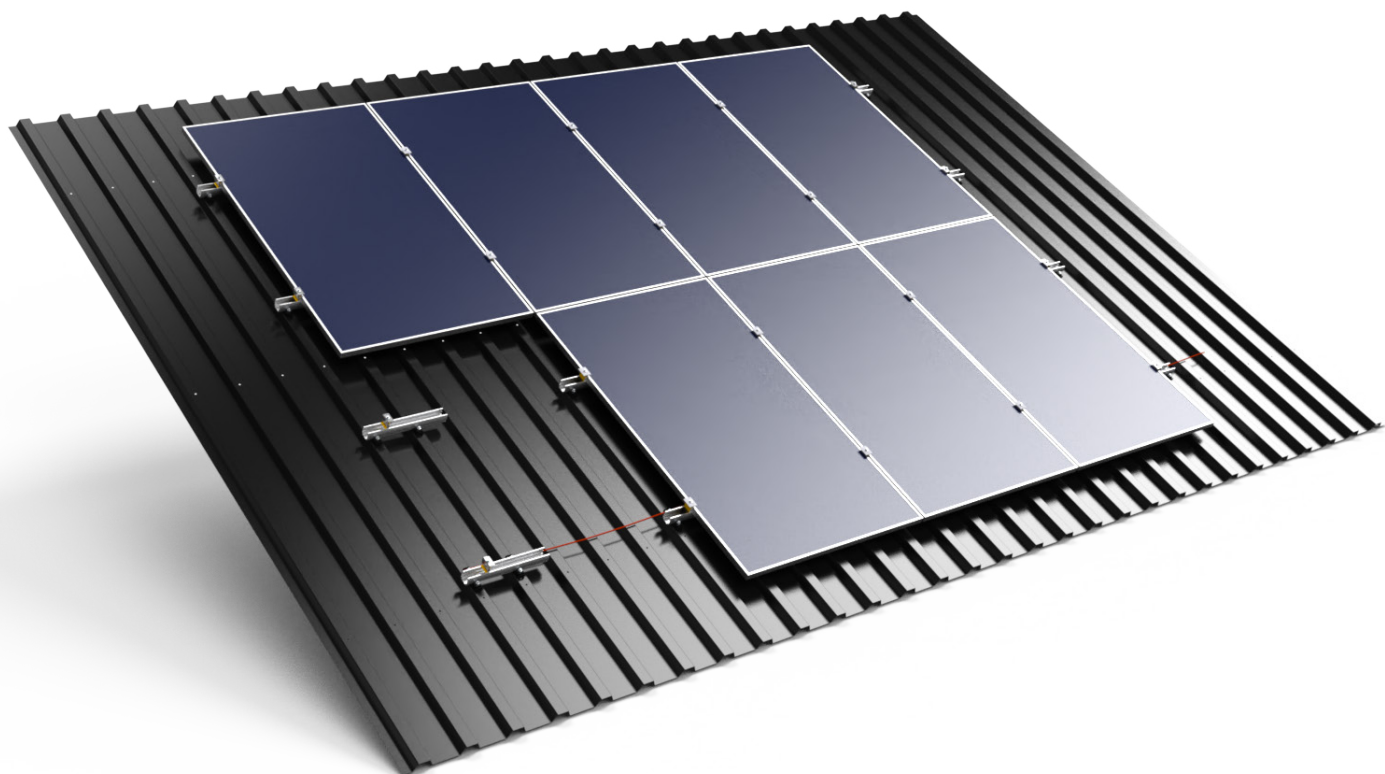


Sunbeam Luna

EN

Installation manual

Steel roof Portrait



December 2022 | Version 1.0 | This is the English translation of the original Dutch installation manual

General




Description of the user

This document is intended for the installer. Sunbeam Luna should only be installed by a trained installer who has fully read and understood the contents of this manual.

Intended use and reasonably foreseeable misuse

This type of Sunbeam Luna is suitable for mounting on trapezoidal steel roofs, corrugated steel roofs and pitched even roofs (bitumen, PVC, EPDM, TPO). Sunbeam Luna must only be used according to the instructions in this document. Sunbeam Luna must only be used with the original accessories and components supplied by the supplier. Any other use is considered improper use and may lead to injury, damage to the system and void the warranty.

Symbols used

Symbol	Meaning
 WARNING	This symbol indicates a hazardous situation which, if not avoided, could result in serious injury or death.
 NOTICE	This symbol indicates situations not related to personal injury.
 COMMENT	This symbol indicates useful additional information.

Safety equipment

Always wear personal safety equipment and fall protection while installing Sunbeam Luna.

Safety instructions

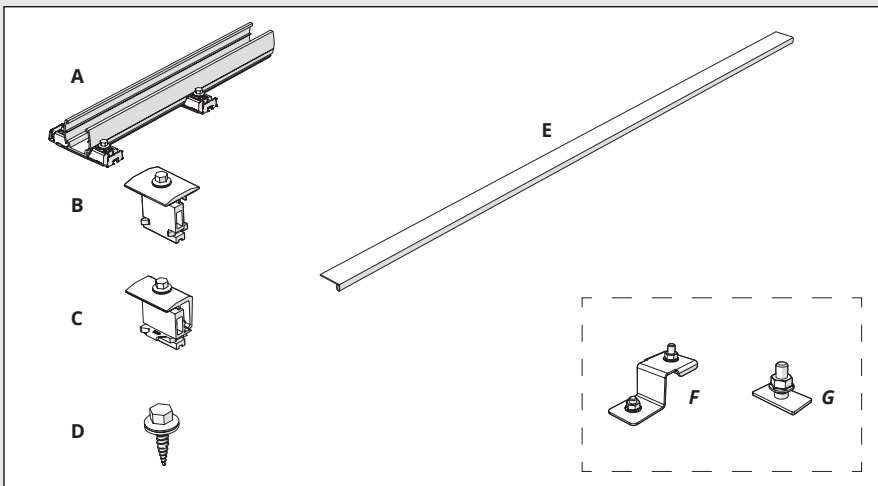
WARNING

- Always follow the national safety regulations in the country of installation.
- Always use fall protection while installing the system.
- Preferably carry out system installation with at least two trained installers.
- Always ensure that the roof is free of obstacles and clean during installation of the system.
- Do not install the system in high winds or when the roof is wet.
- Always ensure that the AWP or ladder is on a firm and stable surface.
- Some roofs are not strong enough to support the system. Always check the condition and strength of the roof before installing the system.
- Always wear personal protective equipment while installing the system.
- Always use the configuration plan derived from the Sunbeam Calculator software during installation.

NOTICE

- Use only original parts or fittings recommended and sold by Sunbeam.
- Never walk over the system or solar panels.

Components



- A Mounting profile
- B Mid clamp
- C End clamp
- D Self-drilling screw
- E LunaLiner
- F Optimiser adapter
- G Mounting kit

Preparation

Recommended tools



Electric screwdriver



Socket bit 5/16" or 8 mm
Socket bit 3/8" or 10 mm



Phillips screwdriver



Chalk line reel

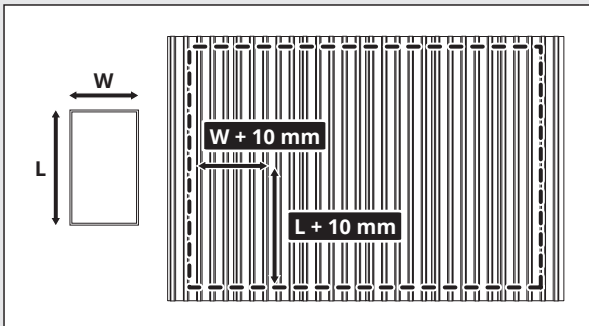


Chalk

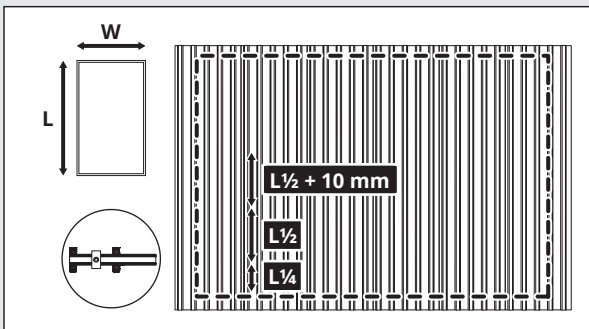


Tape measure

Marking the installation area



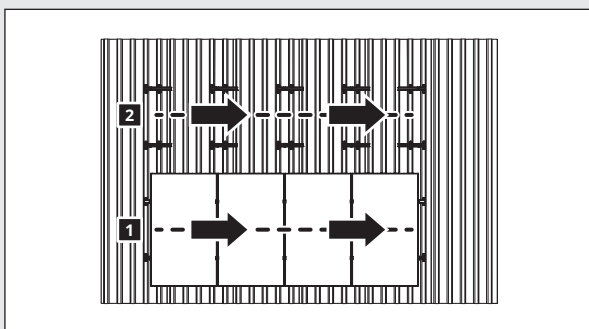
1. Using a tension line or chalk line, mark the outer contours of the field.
2. Mark the panel ends 10 mm away from the panel to account for the clamping width.



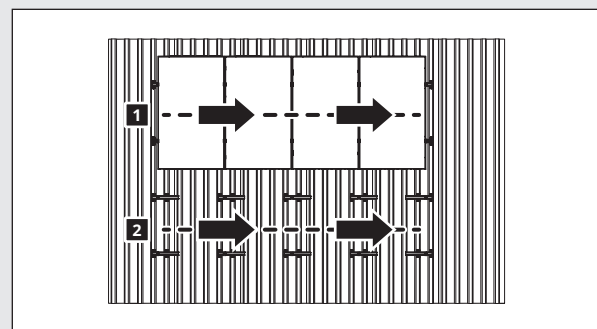
3. Mark the positions of the panel clamps. Consult the panel installation manual for the exact clamping positions.

Laying method

There are two different methods for placing the panels, namely:



Bottom-to-top method



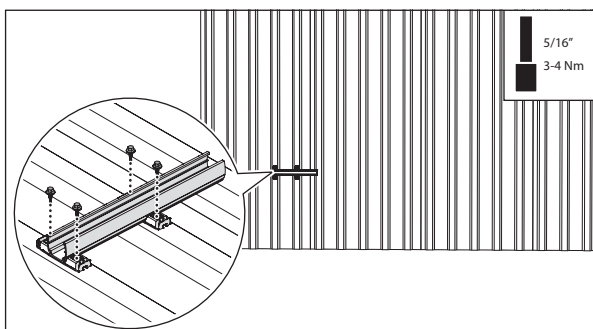
Top-to-bottom method

COMMENT

In this document, the illustrations show the bottom-to-top method.

Portrait system installation

Installing the mounting profiles

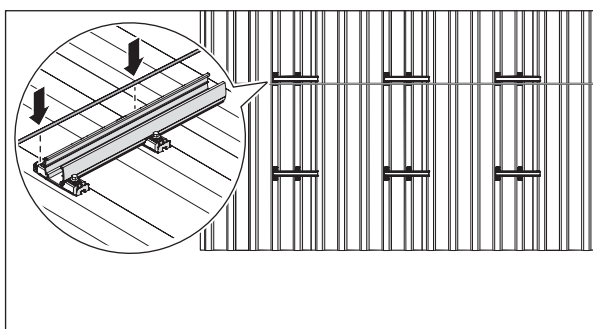


1. Align the mounting profile with the marked profile positions.
2. Tighten the four screws of the mounting profile into the roof.
3. Repeat steps 1 and 2 to install the other mounting profiles.

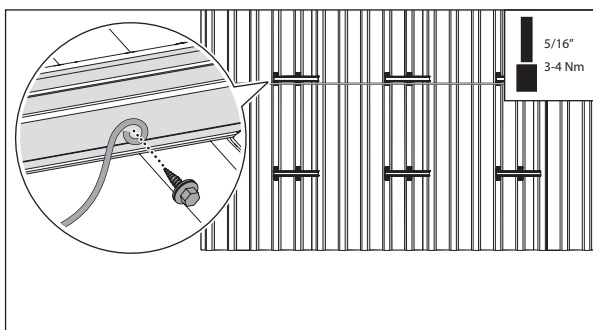
COMMENT

Turn the last column of mounting profiles 180° relative to the other columns so that no excess profile is protruding.

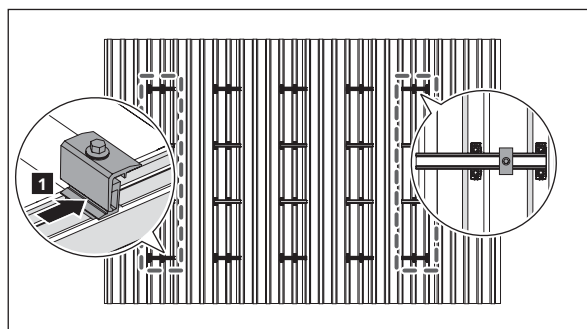
Preparing to place the panels



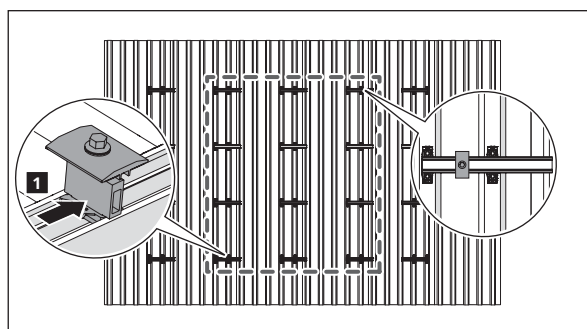
1. Clamp the return cable of the solar power system into the bottom of the upper cable clamps. This neatly conceals the return cable.



2. Optional: Install the earthing cables on the side of the mounting profiles with a self-drilling screw.



3. Place an end clamp in the first and last column of the mounting profiles in line with the marked panel ends.

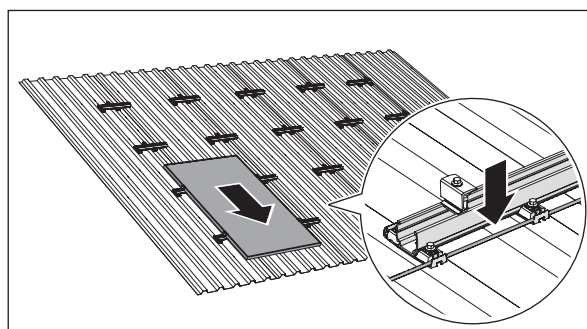


4. Place a mid clamp in the middle rows of the mounting profiles.

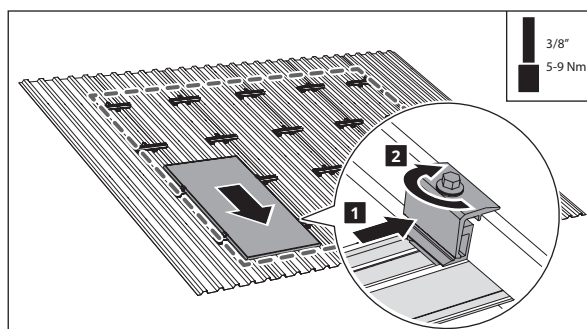
COMMENT

Leave space between the first column end clamps and the first column mid clamps so that the panel can be easily laid between them.

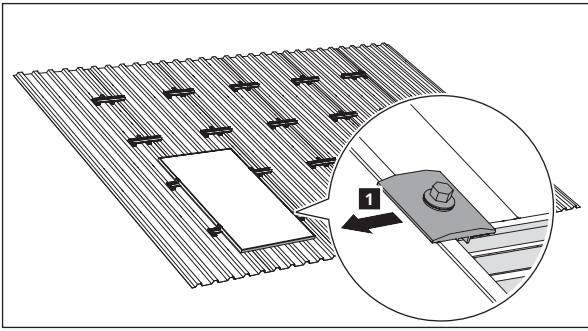
Placing the panels



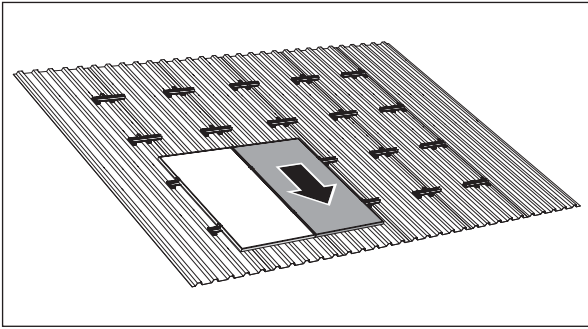
1. Position the first panel against the two end clamps at the corner of the field.
2. Clamp the panel cable into the cable clamp.



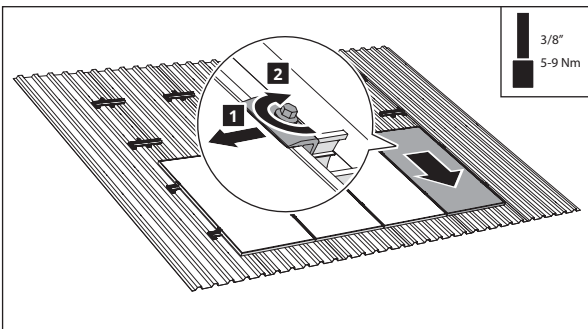
3. Align the panel with the field contour. Slide the end clamps against the panel. Tighten the screws of the end clamps.



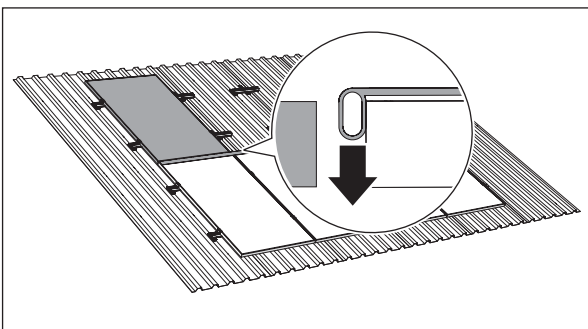
4. Slide the 2 mid clamps against the panel.



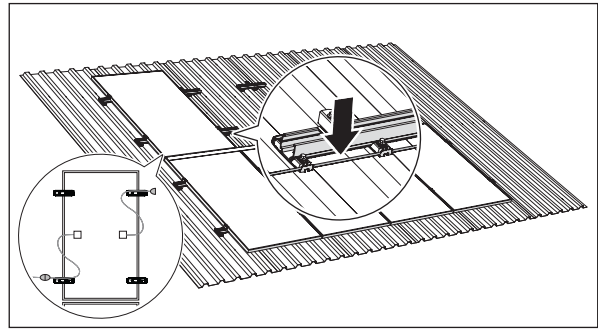
5. Position the second panel between the mid clamps.
6. Connect the panel cables and clamp them in the top cable clamp.
7. Slide the panel against the first column of mid clamps and tighten the screws.
8. Repeat steps 5 to 7 to install the first row of solar panels.



9. Slide the two end clamps against the last panel and screw them in place.

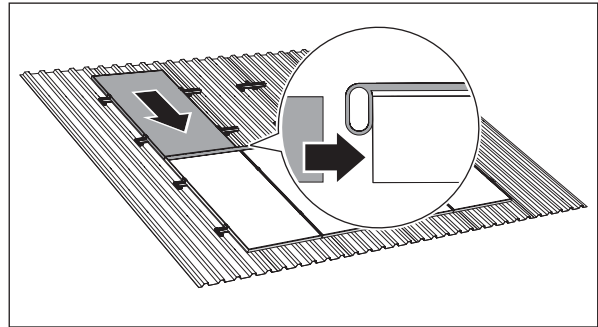


10. Place the LunaLiner on the previous row of solar panels.
11. Bring the next panel into position.

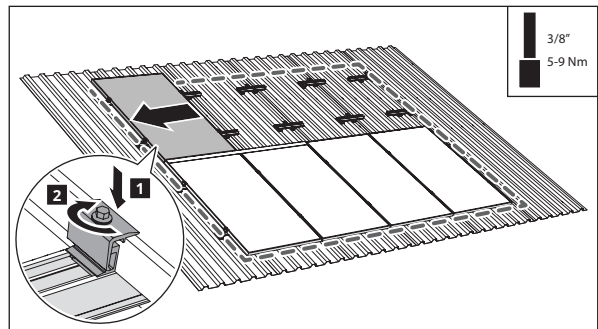


12. Connect the panel cables to the return cable of the other row of panels.

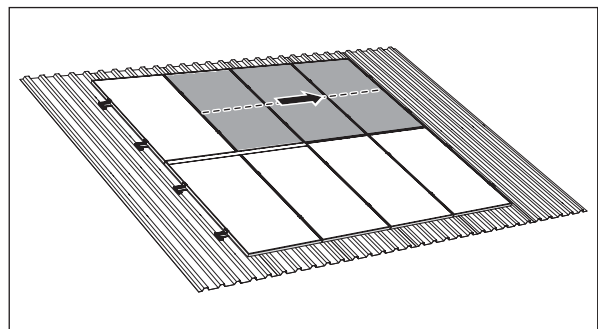
13. Clamp the panel cables into the cable clamps.



14. Lower the panel. Slide the panel against the LunaLiner to determine the spacing between the panels.



15. Align the panel with the field contour. Tighten the screws of the end clamps.



16. Repeat steps 10 to 15 to place the rest of the panels.

Installation manual

Safety standards

The national regulations in the country of installation must be observed at all times. Make sure you are aware of the safety measures prescribed by Sunbeam or the country of installation. If in doubt, consult your safety officer. Ensure safety or health hazards are shared with the employer, supervisor and executive worker for their information.

General safety

- For the Netherlands: Working Conditions Decree Articles 3.16, 7.23 and 8.1 to 8.3.
- For Belgium: General Regulations for Occupational Health and Safety (ARAB).

Electrical installation

- For the Netherlands:
 - NEN1010 - Chapter 7.12
 - NPR 5310 - Chapter 7.12
 - NEN 3140
- For Belgium: General Regulations on Electrical Installations (AREI).

Roof construction and various loads

- General:
 - EN 1990
 - EN 1991-1-3
 - EN 1991-1-4
- For the Netherlands: NEN 7250

Sustainability

As a manufacturer and supplier of panel mounting systems, we are committed to protecting the environment. In the event of a faulty system, please contact Sunbeam first. It may still be possible to repair the system.

Should you need to dispose the system, please dispose of the system according to the local applicable regulations. By properly disposing of the various materials, you will help prevent potential hazards to the environment and human health. The recycling of materials also contributes to the conservation of natural resources.

Warranty

Please refer to www.sunbeam.solar/en for warranty conditions.

'Sunbeam' is a registered trademark.

The Sunbeam designs are protected by several international patents.