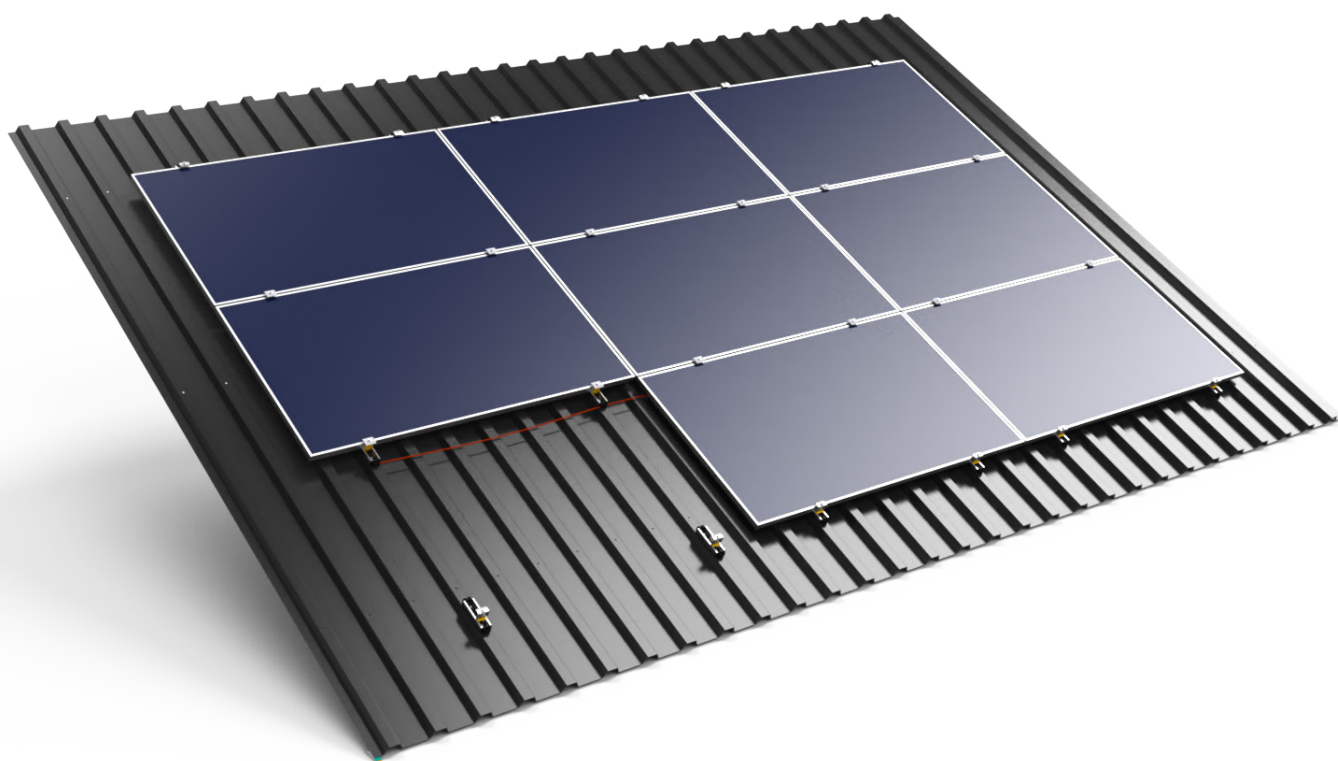


# Sunbeam Luna

EN

Installation manual

## Steel roof Landscape



December 2022 | Version 1.0 | This is the English translation of the original Dutch installation manual

# General




## Description of the user

This document is intended for the installer. Sunbeam Luna should only be installed by a trained installer who has fully read and understood the contents of this manual.

## Intended use and reasonably foreseeable misuse

This type of Sunbeam Luna is suitable for mounting on trapezoidal steel roofs, corrugated steel roofs and pitched even roofs (bitumen, PVC, EPDM, TPO). Sunbeam Luna must only be used according to the instructions in this document. Sunbeam Luna must only be used with the original accessories and components supplied by the supplier. Any other use is considered improper use and may lead to injury, damage to the system and void the warranty.

## Symbols used

Symbol	Meaning
 <b>WARNING</b>	This symbol indicates a hazardous situation which, if not avoided, could result in serious injury or death.
 <b>NOTICE</b>	This symbol indicates situations not related to personal injury.
 <b>COMMENT</b>	This symbol indicates useful additional information.

## Safety equipment

Always wear personal safety equipment and fall protection while installing Sunbeam Luna.

## Safety instructions

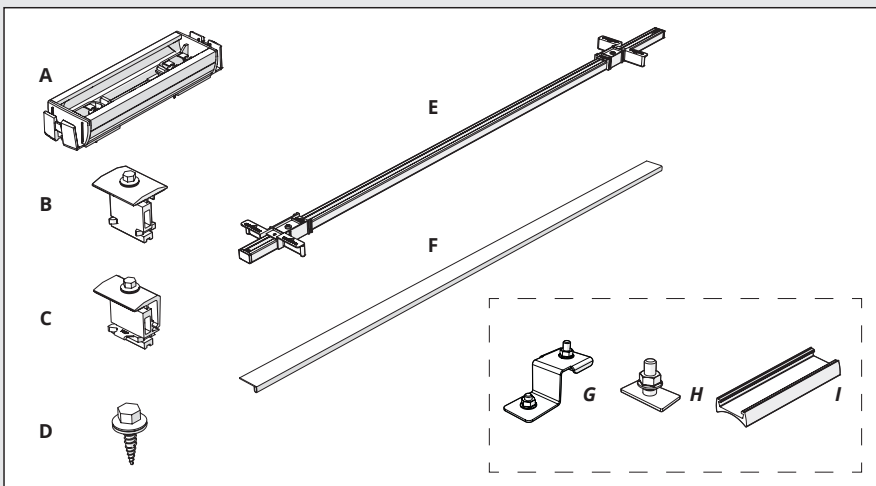
### **WARNING**

- Always follow the national safety regulations in the country of installation.
- Always use fall protection while installing the system.
- Preferably carry out system installation with at least two trained installers.
- Always ensure that the roof is free of obstacles and clean during installation of the system.
- Do not install the system in high winds or when the roof is wet.
- Always ensure that the AWP or ladder is on a firm and stable surface.
- Some roofs are not strong enough to support the system. Always check the condition and strength of the roof before installing the system.
- Always wear personal protective equipment while installing the system.
- Always use the configuration plan derived from the Sunbeam Calculator software during installation.

### **NOTICE**

- Use only original parts or fittings recommended and sold by Sunbeam.
- Never walk over the system or solar panels.

## Components



- A Mounting profile
- B Mid clamp
- C End clamp
- D Self-drilling screw
- E Sizing tool
- F LunaLiner
- G Optimiser adapter
- H Mounting kit
- I Corrugated sheet adapter

# Preparation

## Recommended tools



Electric screwdriver



Socket bit 5/16" or 8 mm  
Socket bit 3/8" or 10 mm



Phillips screwdriver



Chalk line reel



Chalk

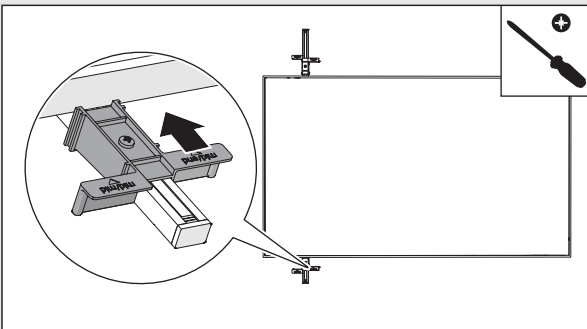


Tape measure

## Setting the sizing tool

### COMMENT

For large installations, it is recommended to use several sizing tools.

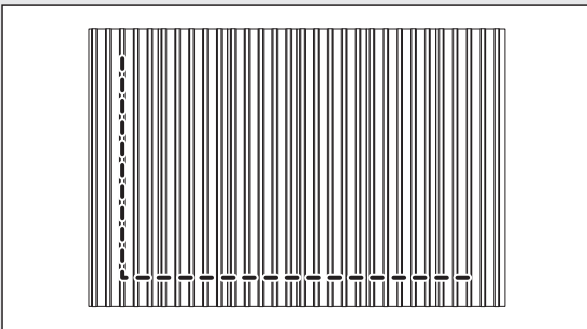


1. To adjust the sliding block, loosen the screw a few turns. Use a Phillips screwdriver to do this.
2. Place the sizing tool on the short side of a panel.
3. Slide the sliding blocks against the side of the panel and screw them in place.

### COMMENT

The sizing tool can also be set with a tape measure.

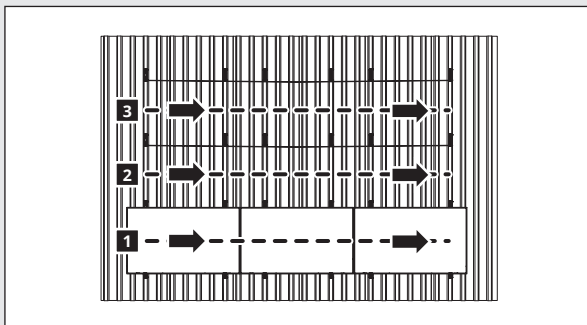
## Marking the installation area



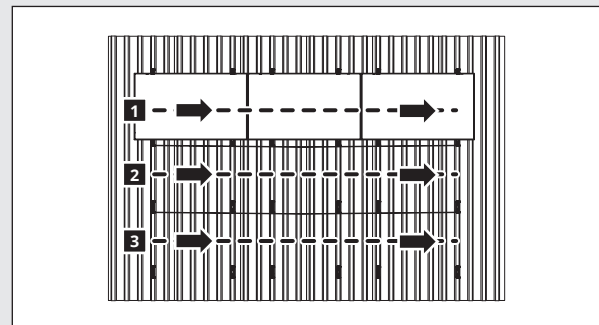
1. Using a tension line or chalk line, mark the outer contours of the field.
2. Mark the positions of the panel clamps. Consult the panel installation manual for this. When using the LunaLiner, the spacing is 10 mm.

## Laying method

There are two different methods for placing the panels, namely:



Bottom-to-top method



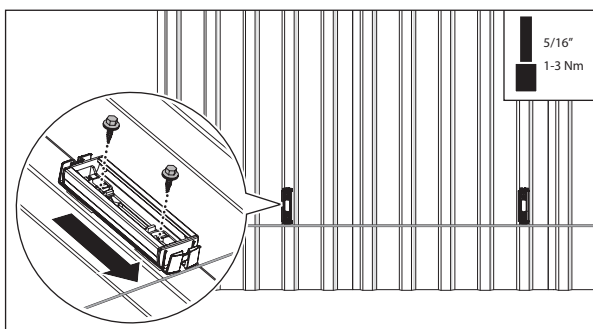
Top-to-bottom method

### COMMENT

In this document, the illustrations show the bottom-to-top method.

# Landscape system installation

## Installing the mounting profiles

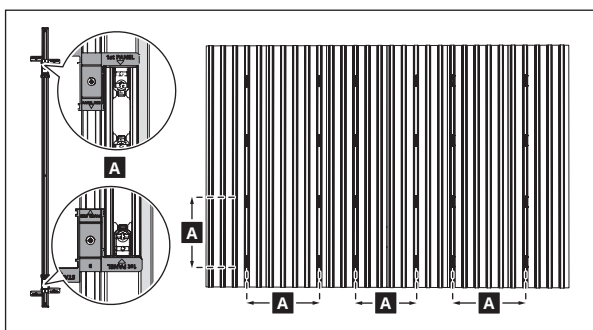


1. Align the mounting profile with the stretched or marked line.

### COMMENT

Install the mounting profiles in the same order as the laying method of the panels.

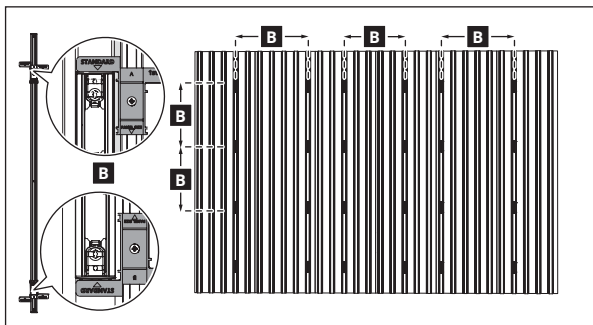
2. Tighten the two screws of the mounting profile into the roof.
3. Repeat steps 1 and 2 to install the first horizontal row of mounting profiles.



### COMMENT

To install the first row of mounting profiles, use the sizing tool in position A with the 1st PANEL section.

4. Insert the sizing tool into the cable clamp of the yet to be installed mounting profile. Make sure the arrow on the sizing tool points towards the mounting profile.
5. Insert the sizing tool into the cable clamp of the installed mounting profile.
6. Screw on the next mounting profile.

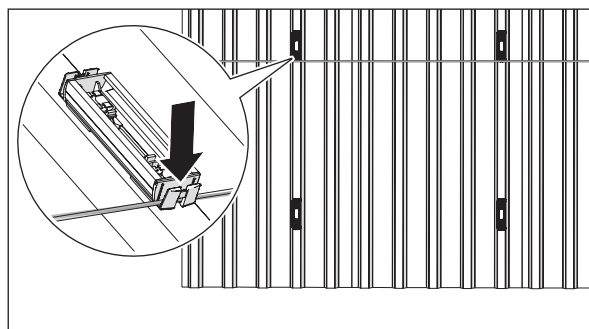


7. Repeat steps 4 to 6 to install the remaining rows of mounting profiles.

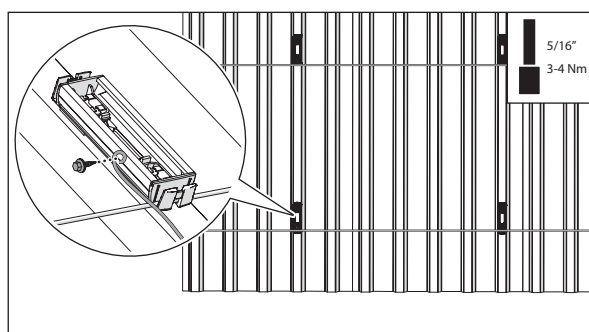
### COMMENT

To install the remaining mounting profiles, use the sizing tool in position B with the STANDARD section.

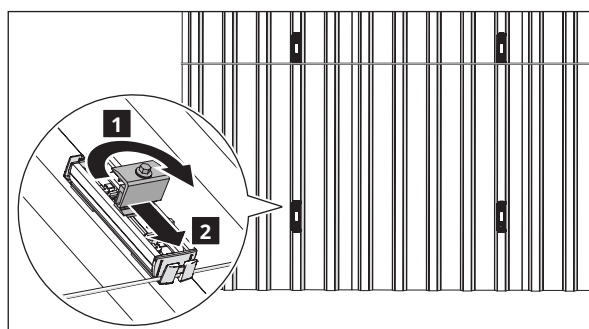
## Preparing to place the panels



1. Clamp the return cable of the solar power system into the lower cable clamps. This neatly conceals the return cable.



2. Optional: Install the earthing cables to the lower mounting profiles with a self-drilling screw.

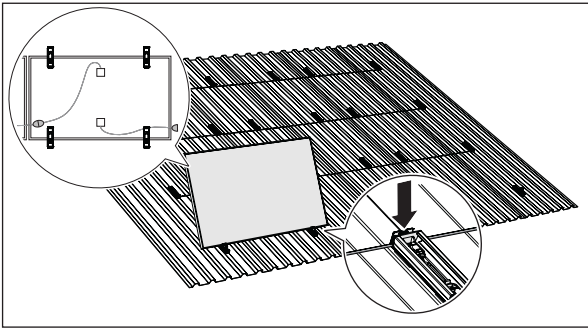


3. Place an end clamp in the first row of mounting profiles and slide it to the end of the mounting profile against the stop.

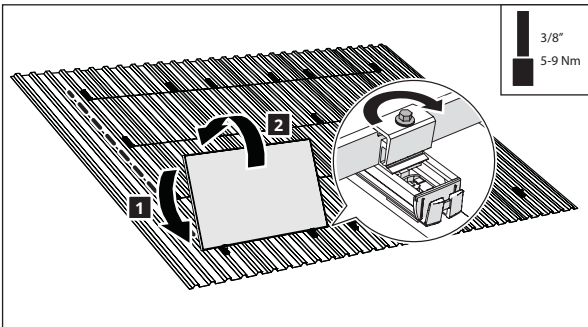
### COMMENT

All clamps in the Luna system are inserted clockwise into the mounting profile, and removed counter-clockwise.

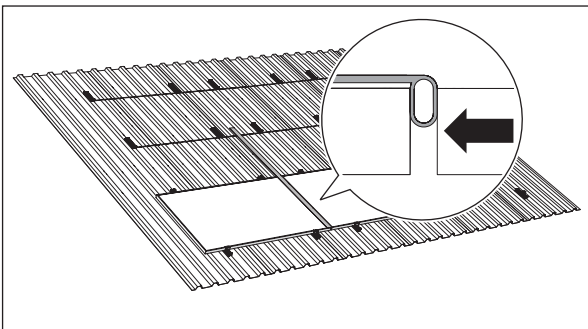
## Placing the panels



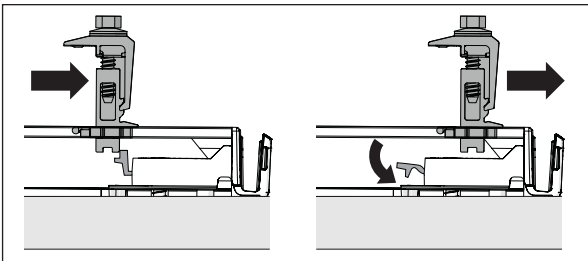
1. Position the first panel against the two end clamps at the corner of the field.
2. Clamp the panel cable into the top cable clamp.



3. Lower the panel. Align the panel with the field contour and tighten the screws of the two end clamps.

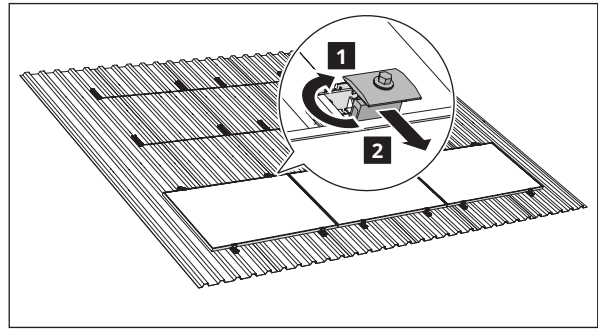


4. Place the LunaLiner on the first panel.
5. Position the second panel against the next two end clamps.
6. Connect the panel cables to the previous panel.
7. Clamp the loose panel cable into the next cable clamp.
8. Lower the panel and slide it against the LunaLiner to set the spacing at 10 mm.
9. Tighten the screws of the two end clamps.
10. Remove the LunaLiner.
11. Repeat steps 4 to 10 to place the first row of solar panels.

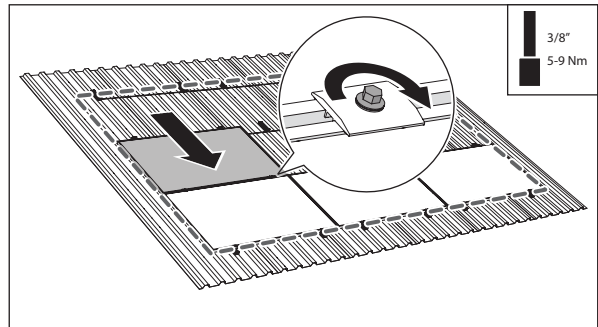


### COMMENT

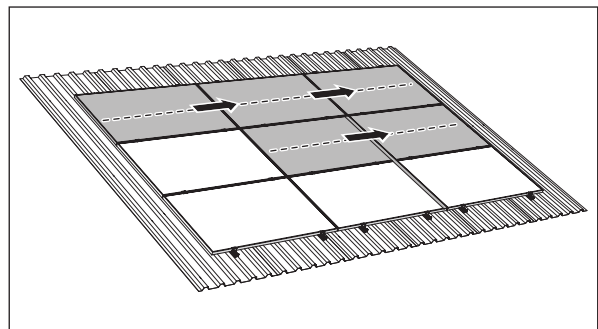
If a mounting profile is placed too high, the stop cam can be turned aside to ensure the end clamp can still be placed in the correct position.



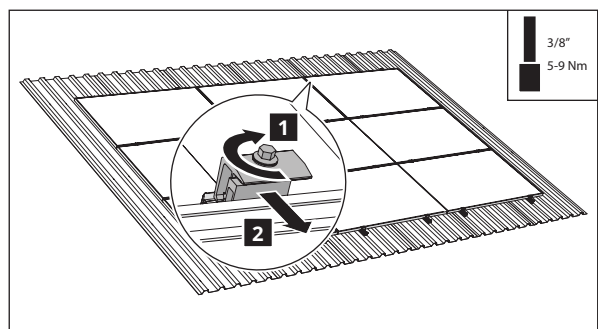
12. In the next row of mounting profiles, place a mid clamp and slide it against the first row of installed panels.



13. In the next row, position a panel against the mid clamps and align with the field contour.
14. Connect the panel cable to the return or another row.
15. Clamp the loose panel cable into the next cable clamp.
16. Lower the panel and tighten the screws of the two mid clamps.



17. Align the next panel with the LunaLiner and repeat steps 12 to 16 to place the middle and top rows of solar panels.



18. Place an end clamp in the last row of mounting profiles and slide it against the last row of installed panels. Tighten the screws of the end clamps.

## Installation manual

### Safety standards

The national regulations in the country of installation must be observed at all times. Make sure you are aware of the safety measures prescribed by Sunbeam or the country of installation. If in doubt, consult your safety officer. Ensure safety or health hazards are shared with the employer, supervisor and executive worker for their information.

#### General safety

- For the Netherlands: Working Conditions Decree Articles 3.16, 7.23 and 8.1 to 8.3.
- For Belgium: General Regulations for Occupational Health and Safety (ARAB).

#### Electrical installation

- For the Netherlands:
  - NEN1010 - Chapter 7.12
  - NPR 5310 - Chapter 7.12
  - NEN 3140
- For Belgium: General Regulations on Electrical Installations (AREI).

#### Roof construction and various loads

- General:
  - EN 1990
  - EN 1991-1-3
  - EN 1991-1-4
- For the Netherlands: NEN 7250

### Sustainability

As a manufacturer and supplier of panel mounting systems, we are committed to protecting the environment. In the event of a faulty system, please contact Sunbeam first. It may still be possible to repair the system.

Should you need to dispose the system, please dispose of the system according to the local applicable regulations. By properly disposing of the various materials, you will help prevent potential hazards to the environment and human health. The recycling of materials also contributes to the conservation of natural resources.

### Warranty

Please refer to [www.sunbeam.solar/en](http://www.sunbeam.solar/en) for warranty conditions.

'Sunbeam' is a registered trademark.

The Sunbeam designs are protected by several international patents.